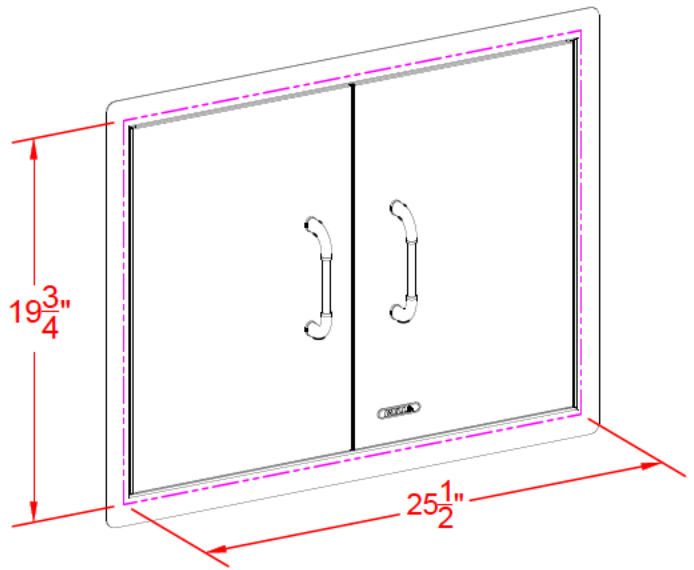


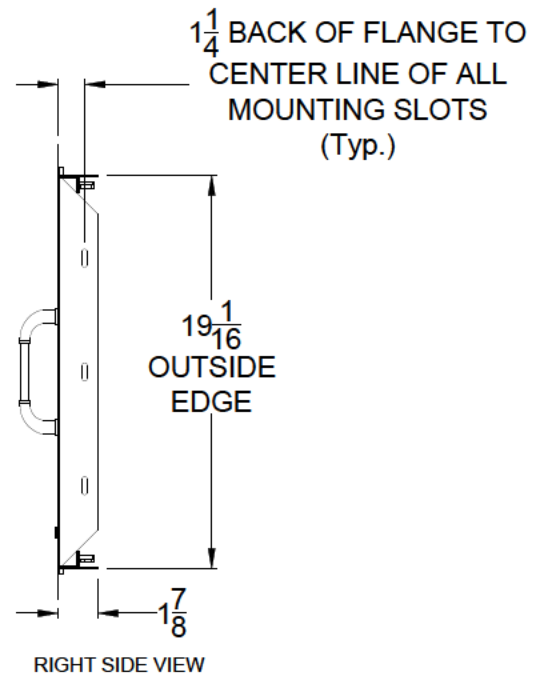
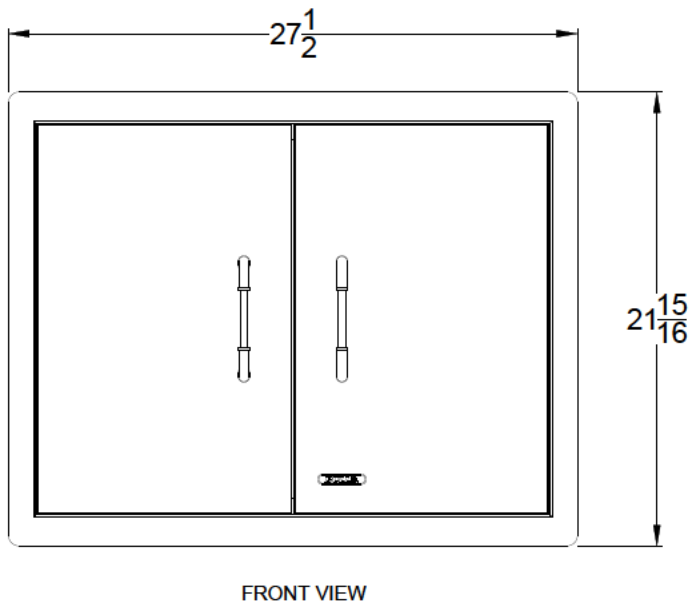
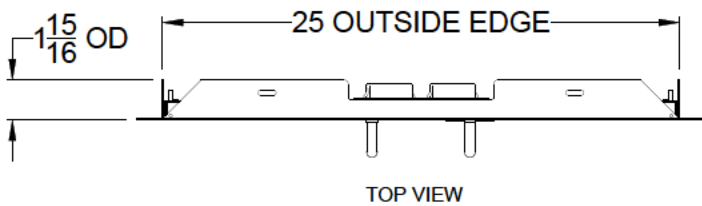


WWW.BULLBBQ.COM

SPEC SHEET
ITEM #33570
25 INCH DOUBLE DOOR



PERSPECTIVE VIEW
WITH INSTALLATION
CUT OUT DIMENSIONS



NOTES:

- 1) ALL DIMENSIONS ARE IN INCH UNITS
- 2) REFER TO PERSPECTIVE VIEW FOR INSTALLATION CUTOUT DIMENSIONS.