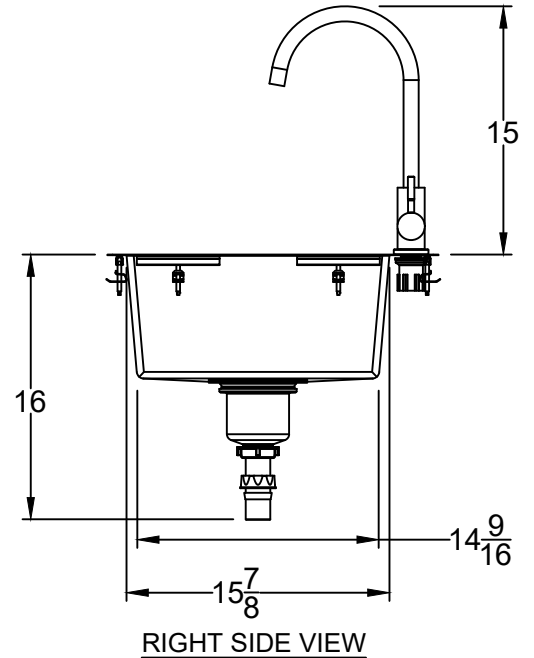
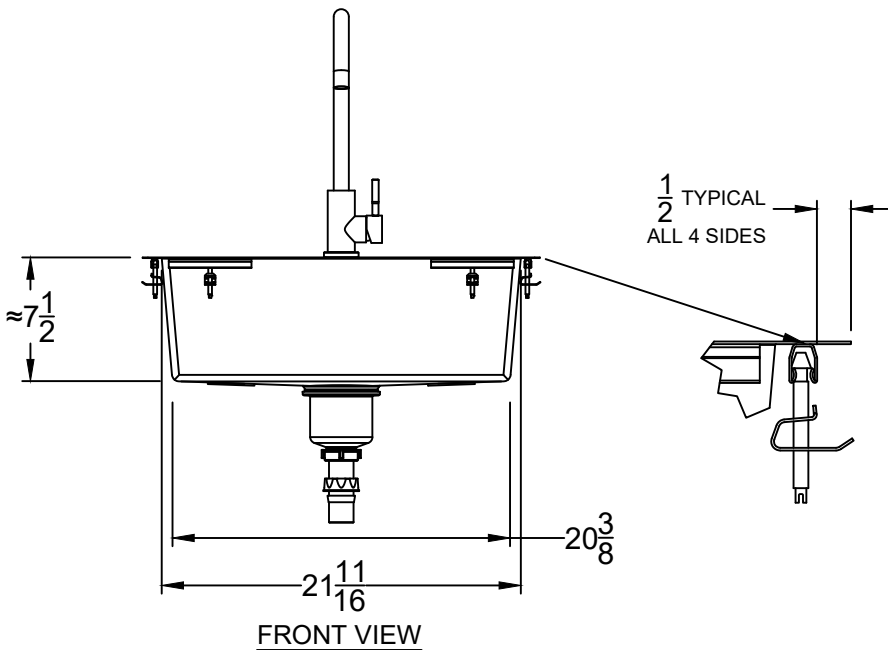
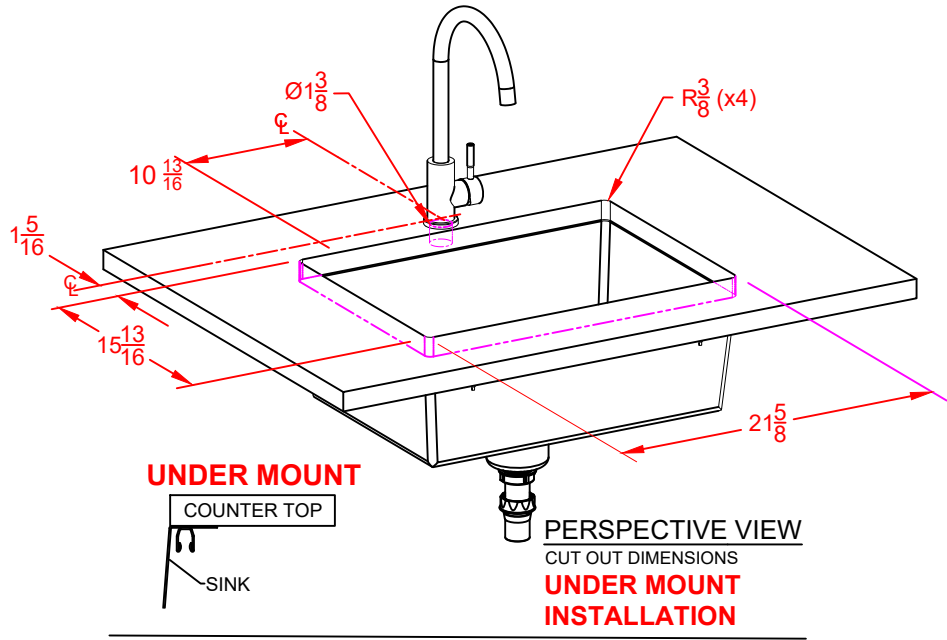
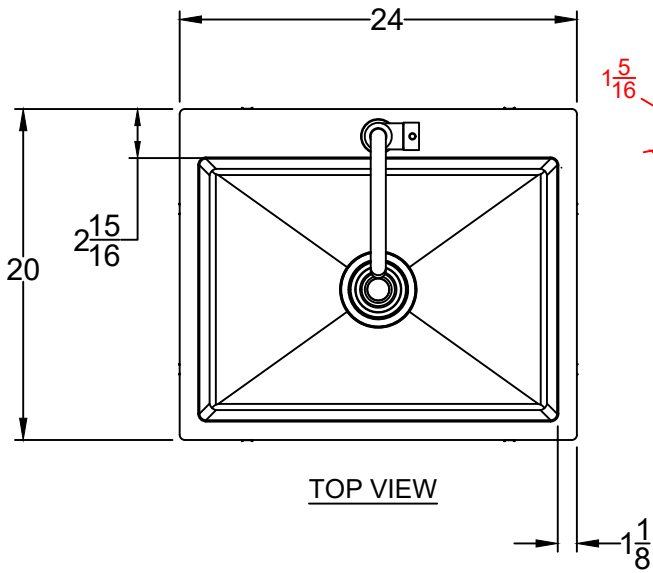
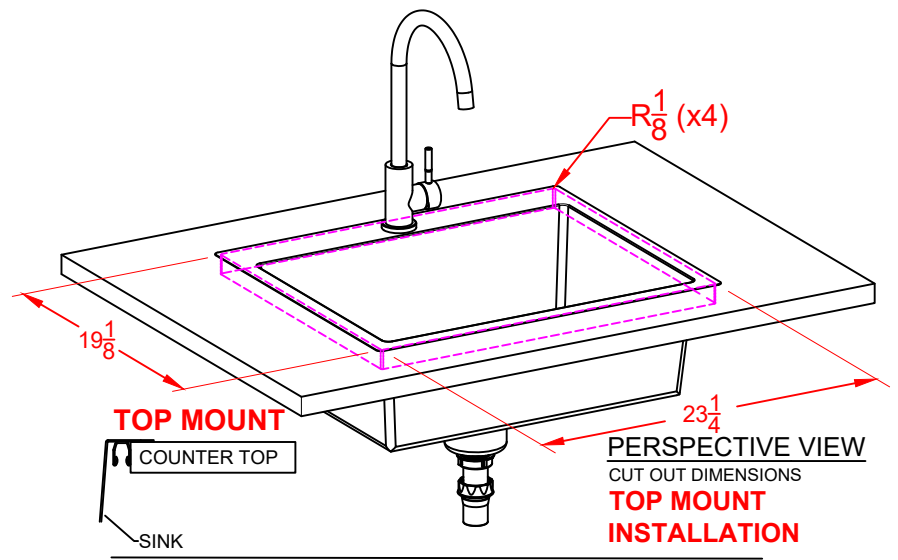




WWW.BULLBBQ.COM

24 INCH DUAL MOUNT  
PREMIUM SINK  
w/ FAUCET & DRAIN KIT  
SPEC SHEET  
SKU# 12530



**NOTES:**

- 1) ALL DIMENSIONS ARE IN INCH UNITS
- 2) REFER TO PERSPECTIVE VIEW FOR INSTALLATION CUTOUT DIMENSIONS.

v.2025.04.02