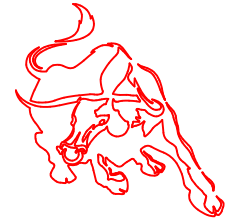
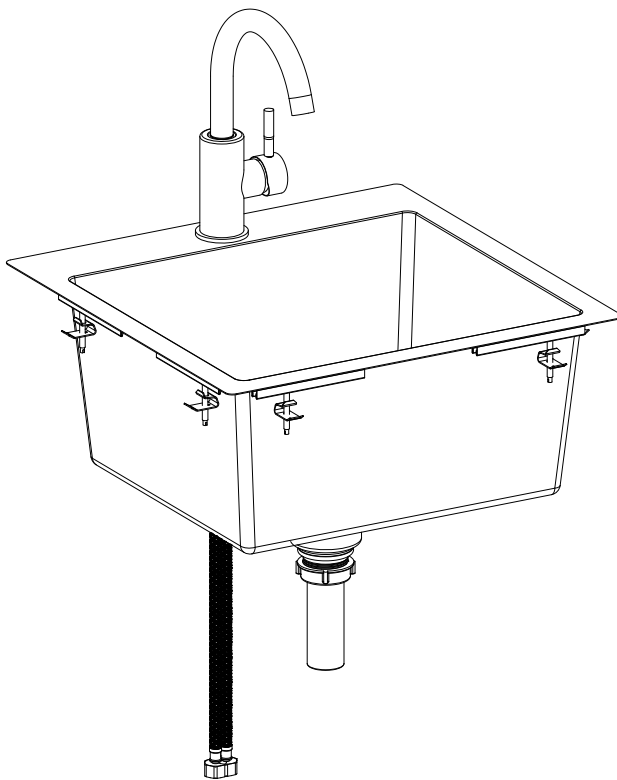


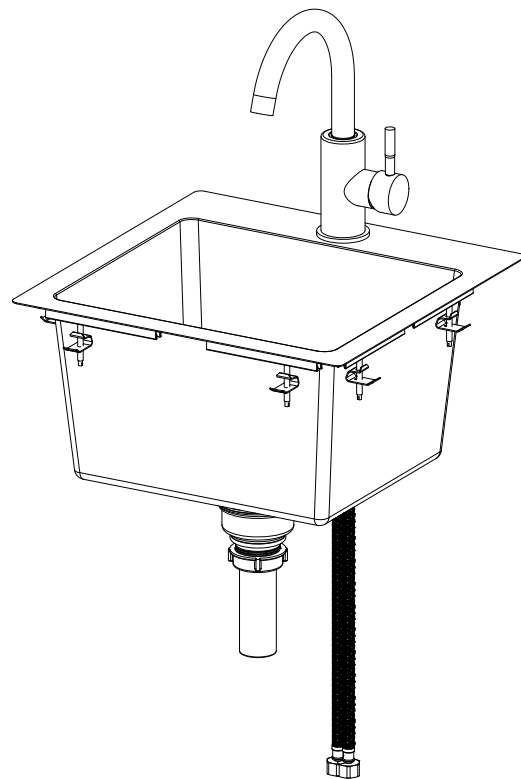
Bull Outdoor Products



Stainless Steel Sinks

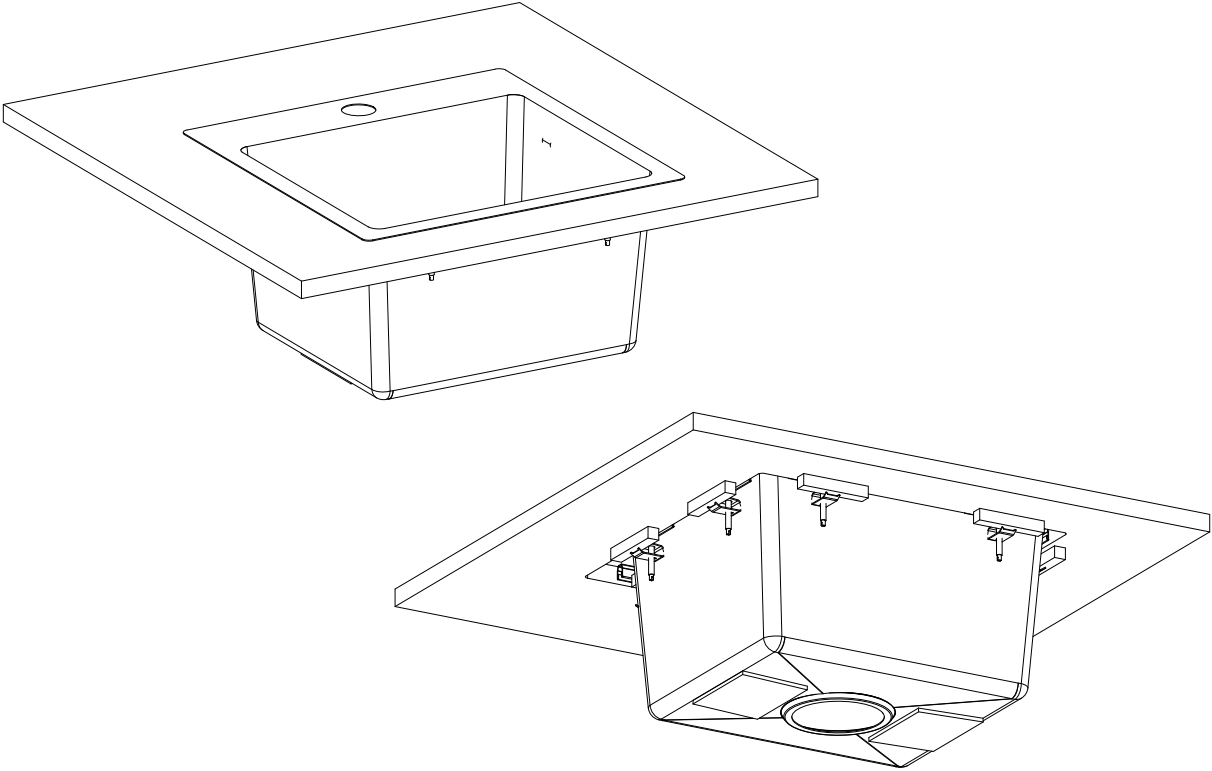


Bull Large
18" Dual Mount Sink
Model # 12515



Bull Small Sink
15" Dual Mount Sink
Model # 12516

DROP IN SINK



UNDER-MOUNT SINK

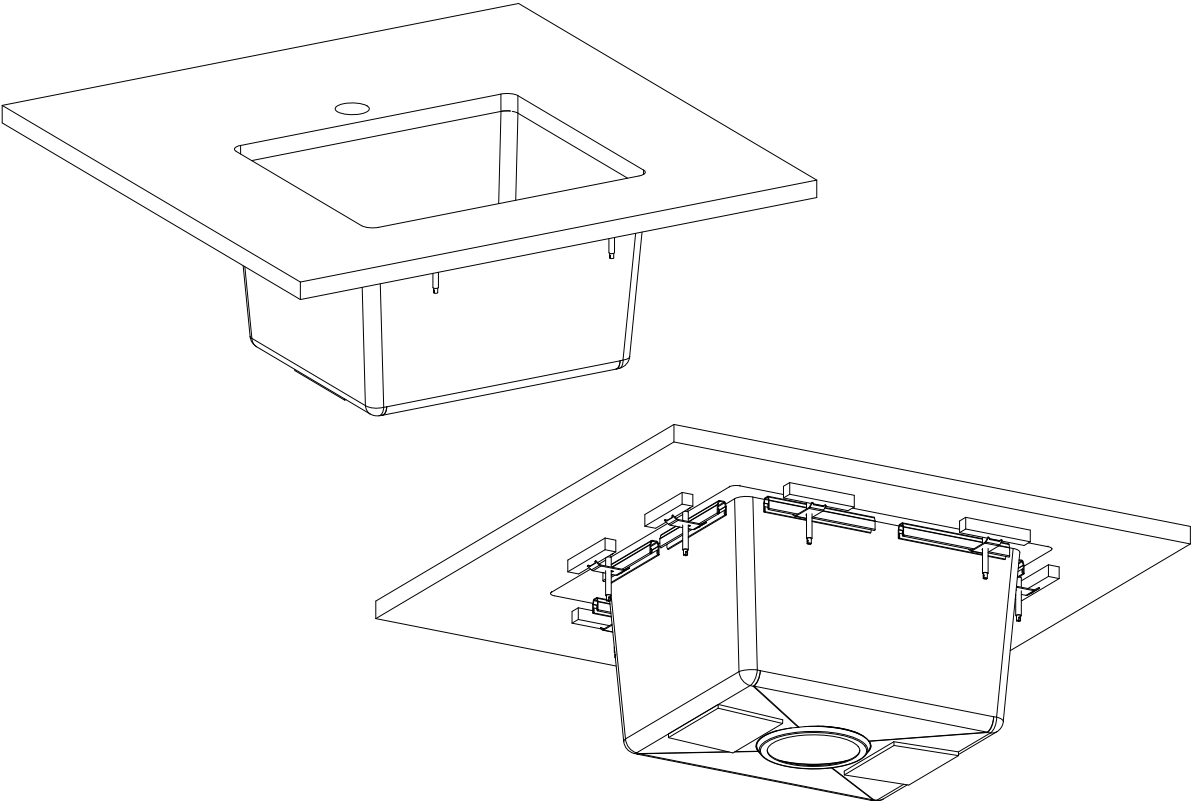
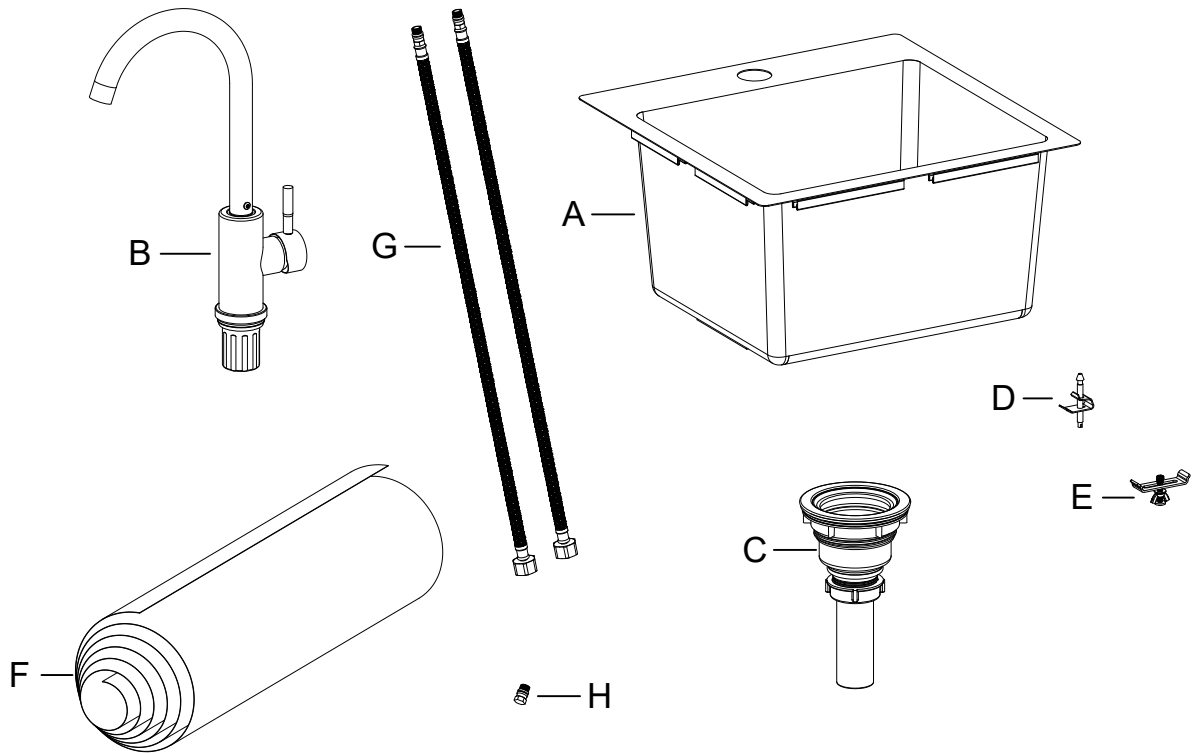


TABLE OF CONTENTS

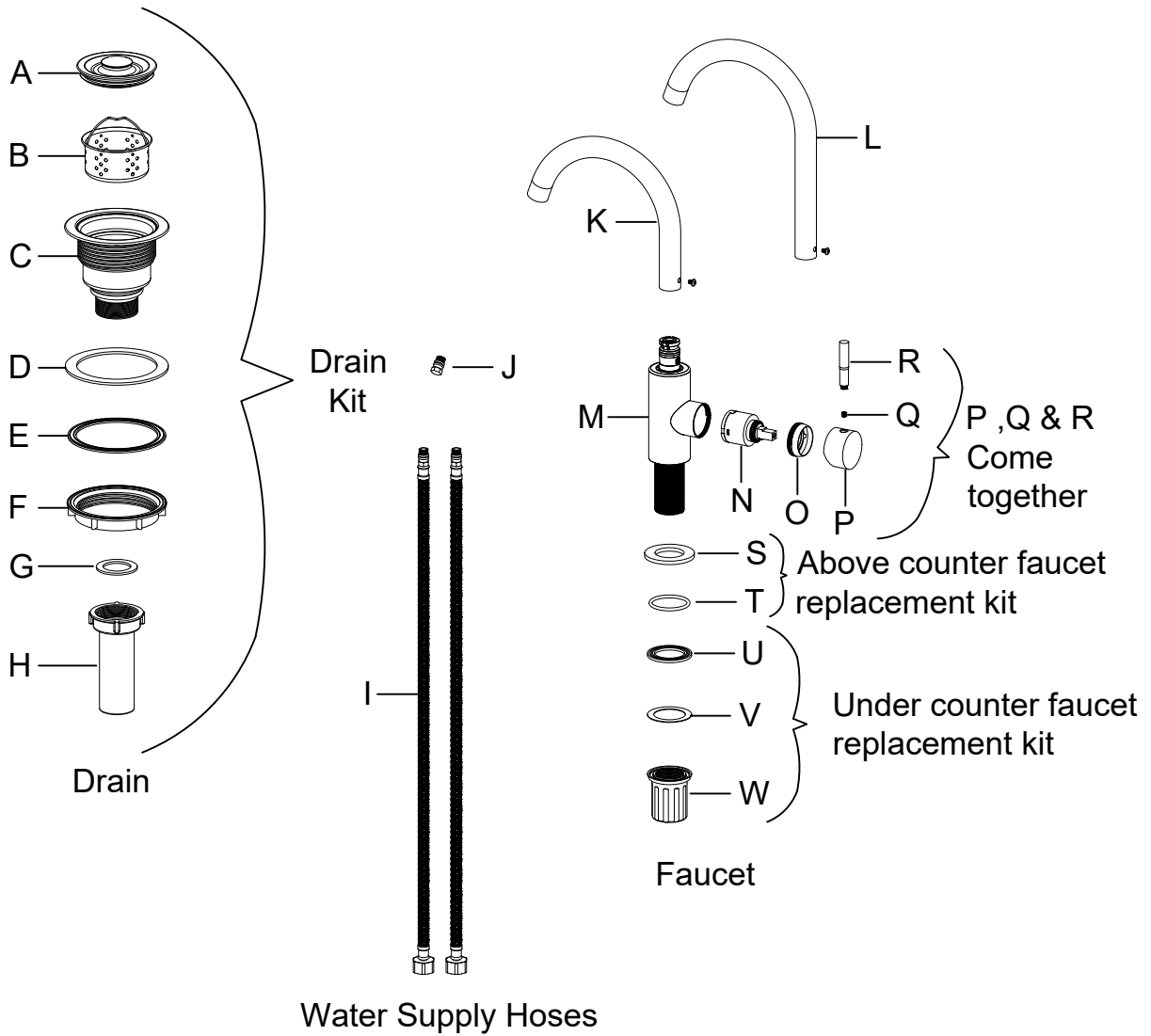
Package Contents.....	1
Hardware Contents.....	2
Tools.....	3
12515 18" Dual Mount Sink (Top Mount Cutout)....	4
12516 15" Dual Mount Sink (Top Mount Cutout)....	5
Top Mount Installation.....	6
12515 18" Dual Mount Sink (Under Mount Cutout)..	9
12515 18" Dual Mount Sink (Under Mount Cutout).	10
Under Mount Installation.....	11
Care and Maintenance.....	13
Troubleshooting.....	14
Warranty Policy.....	15
Replacement Parts List.....	17

PACKAGE CONTENTS



PART	DESCRIPTION	QUANTITY
A	12515 or 12516 Sink	1
B	12515 or 12516 Faucet Head	1
C	Drain Assembly	1
D	Top Mount Clip	8
E	Undermount Clip	8
F	Top and Undermount Templates	1 Set
G	Braided Flexible Supply Hoses	1 Pair
H	Plug for Hot Water Supply	1

Parts List



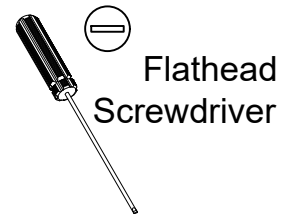
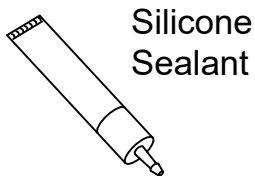
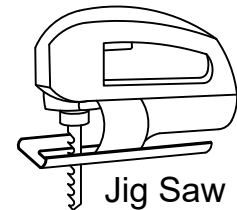
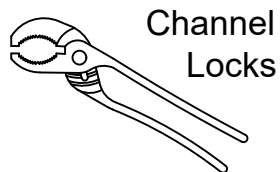
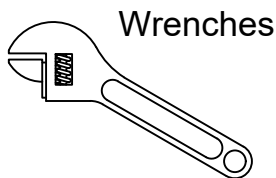
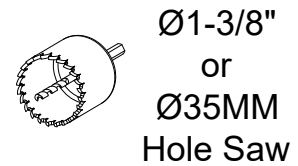
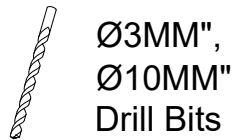
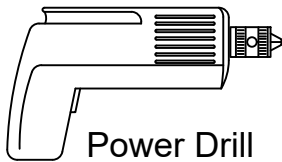
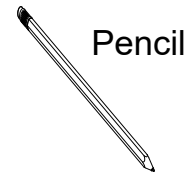
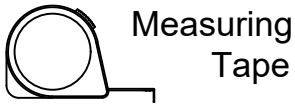
PART	DESCRIPTION	
A	Drain Cap	Drain Assembly Kit
B	Strainer	
C	Bowl	
D	Foam Washer	
E	Rubber Washer	
F	Bowl Lock Nut	
G	Drain Washer	
H	Drain Pipe	

PART	DESCRIPTION
I	Water Supply Hose (x2)
J	Plug for the Hot Water Supply

PART	DESCRIPTION	
K	Faucet Head and Set Screw #12516	
L	Faucet Head and Set Screw #12515	
M	Faucet Body	
N	Faucet Cartridge	
O	Cartridge Lock Nut	
P	Cartridge Cap	Cartridge Cap & Set Screw with Handle
Q	Set Screw	
R	Handle	
S	Escutcheon plate	Above counter faucet replacement kit
T	Escutcheon O-ring	
U	Rubber Washer	Under counter faucet replacement kit
V	SS Washer	
W	Hand Nut	

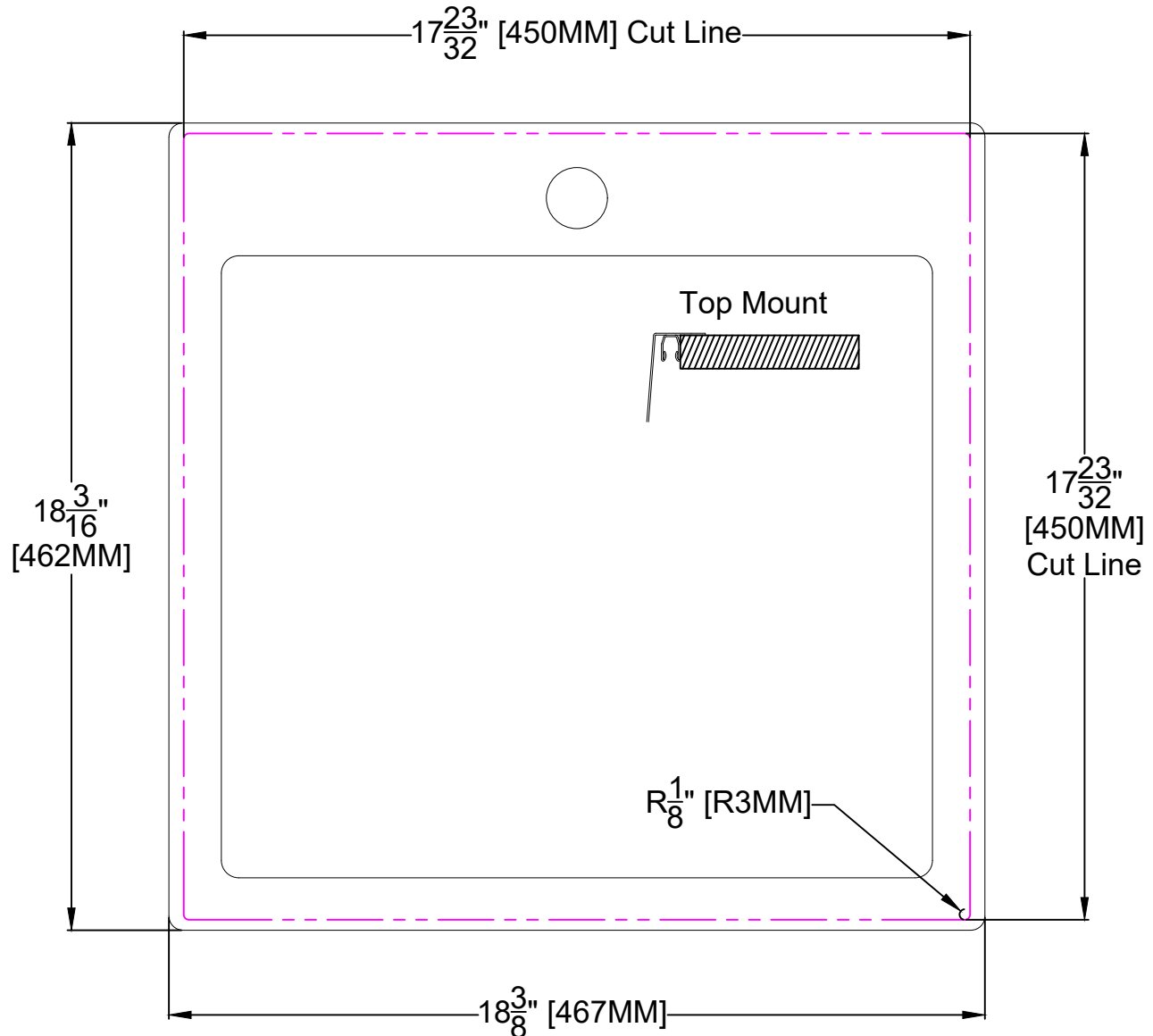
TOOLS REQUIRED FOR INSTALLATION

Note: Specialized tools may be required to install sink to countertop surfaces other than wood or wood composited.



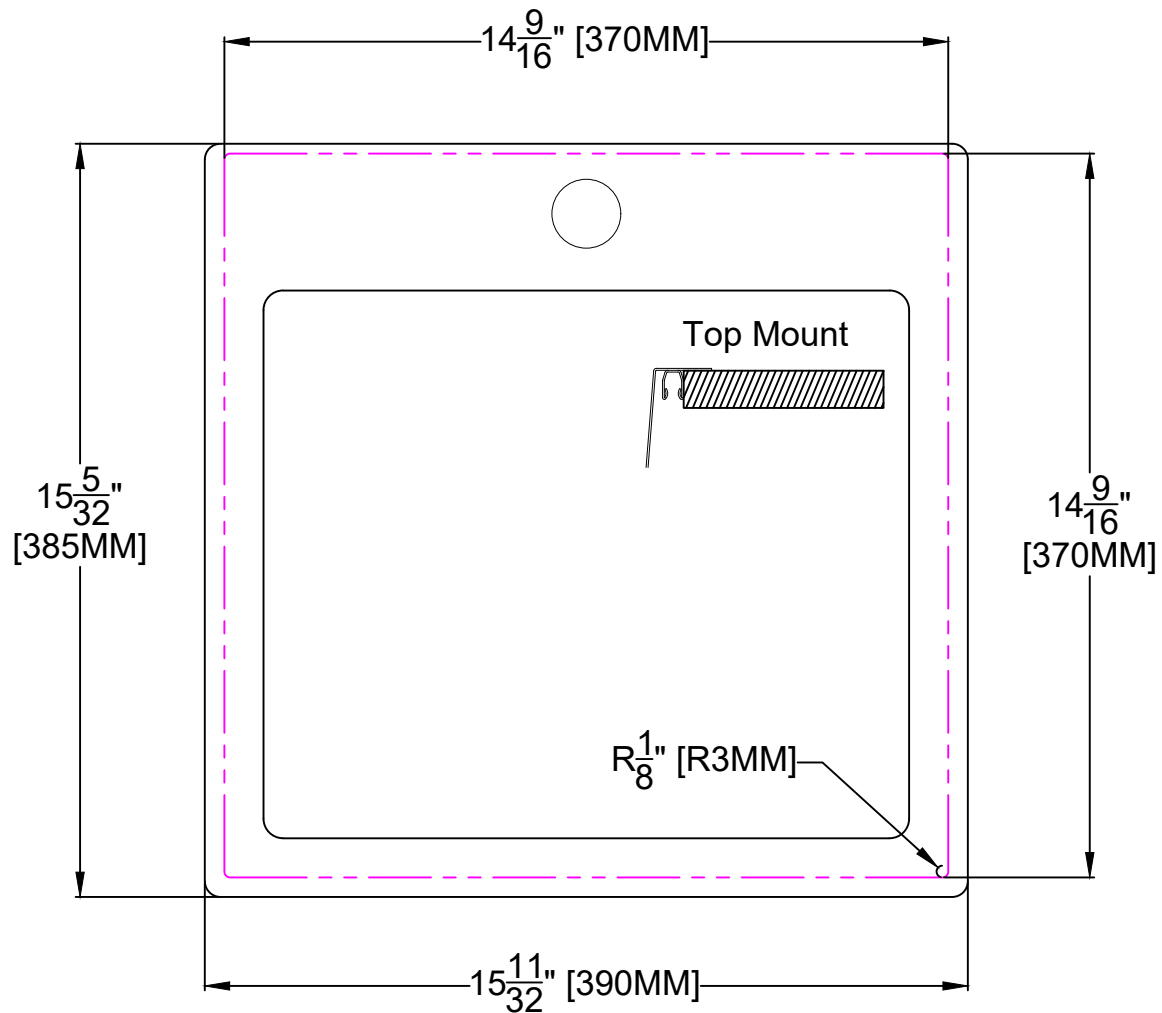
Top-Mount Sink Cut-Outs

Bull 18" Dual Mount Sink
Model # 12515
Cardboard Template Provided



Top-Mount Sink Cut-Outs

Bull 15" Dual Mount Sink
Cardboard Template Provided
Model # 12516



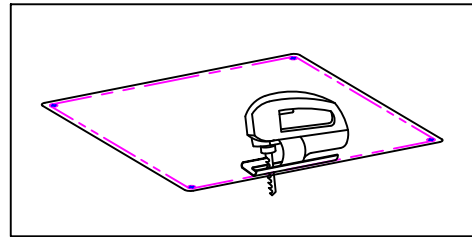
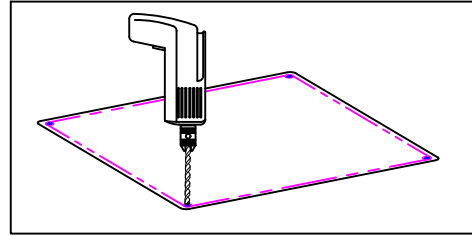
TOP-MOUNT INSTALLATION

1 PREPARING THE COUNTER TOP

Make sure there are no obstructions such as cabinets, plumbing, ect. below or above the countertop.

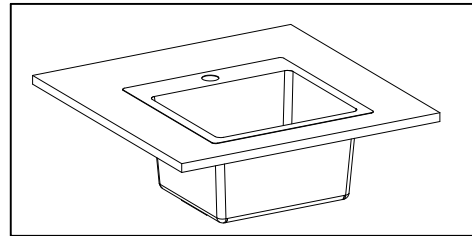
Place template on countertop checking to make sure the sink will line up correctly with plumbing,

To begin the cutout for the sink, drill a Ø6MM hole and use a jig saw to carefully cut along the template or pencil line.



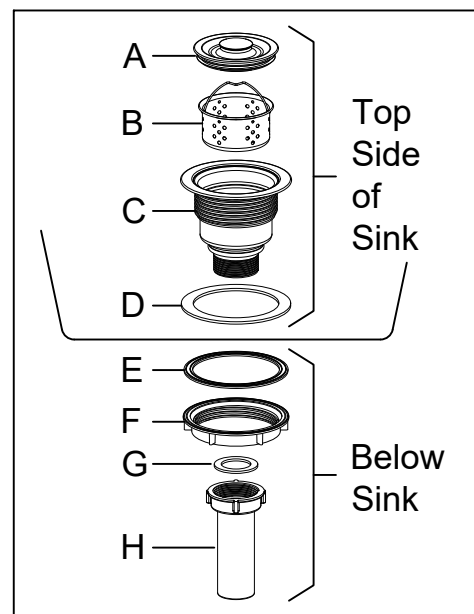
2 CHECK CUTOUT DIMENSIONS

Check the countertop cutout opening by placing the sink in the opening to be sure it is sized properly. The rim of the sink must be set uniformly on the countertop to ensure the corners of the sink seat properly. If sink does not fit adjust the cutout opening using the saber saw.



3 PREPARING THE STRAINER

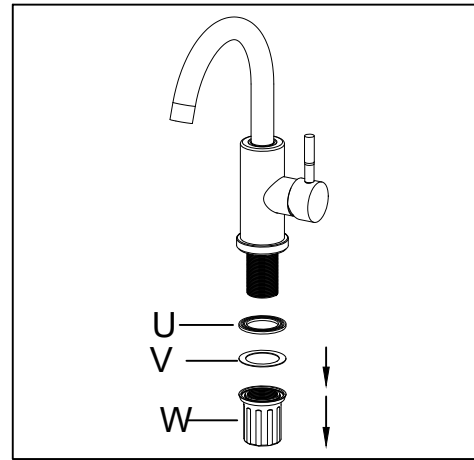
Install the strainer as shown. It is easier to install the strainer assembly to the sink before the sink is installed to the cabinet.



TOP-MOUNT INSTALLATION (Continued)

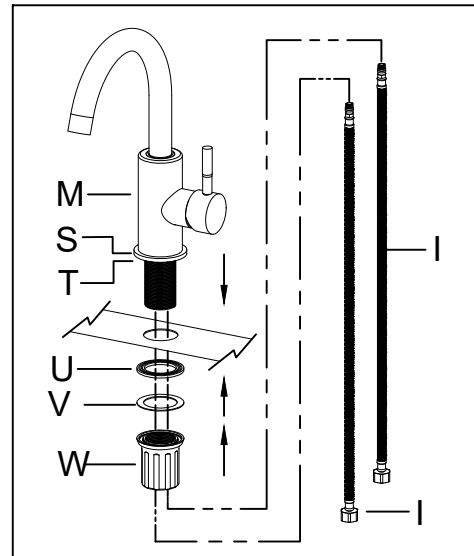
4 PREPARING THE FAUCET ASSEMBLY

Remove the hand nut (W), stainless steel washer (V) and rubber washer (U) from the threaded shank of the faucet body.



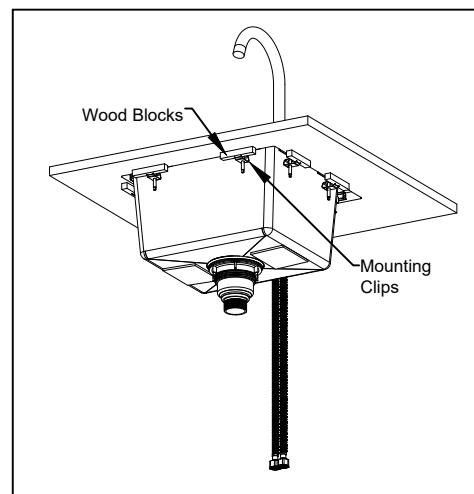
5 SECURING THE FAUCET ASSEMBLY

Position the faucet in order on the sink as shown. Slide the eschution plate (S) and the eschution o-ring (T) on the threaded shank of the faucet body. Move the assembly thru the sink faucet hole. Then slide on the rubber washer (U), stainless steel washer (V) and screw on the hand nut (E). Screw on the hot and cold braided hoses (I).



6 INSTALLING THE SINK

- Apply silicone sealant around the underside lip of the sink.
- Carefully lower the sink into the counter.
- Attach the mounting clips and scrap wood blocks .
- Tighten screws evenly until sink is flush with counter top.
- Wipe up excess silicone with clean rag.



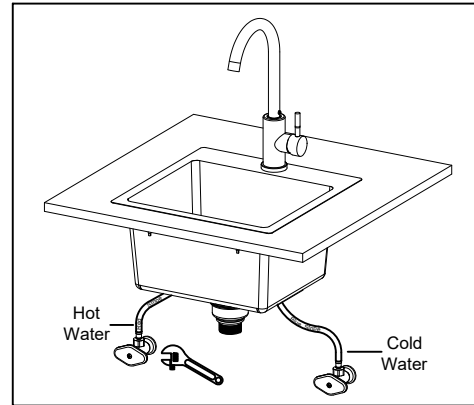
TOP-MOUNT INSTALLATION (Continued)

7 MAKE THE WATER SUPPLY CONNECTIONS

Connect the flexible braided hoses (I & J) to water supply valves (not supplied) and tighten with wrench.

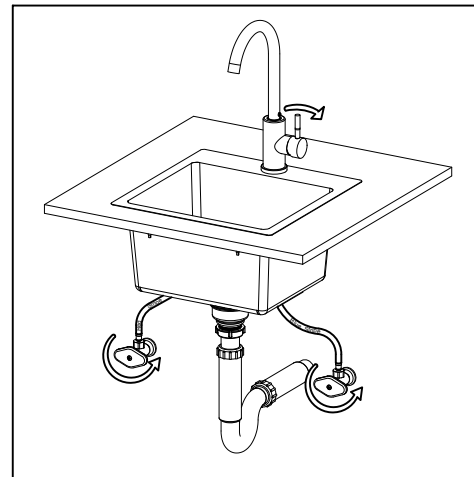
⚠ DON'T OVER TIGHTEN!

Caution: make sure to connect the hot (red stripe) and cold (blue stripe) water hoses to the correct supplies.



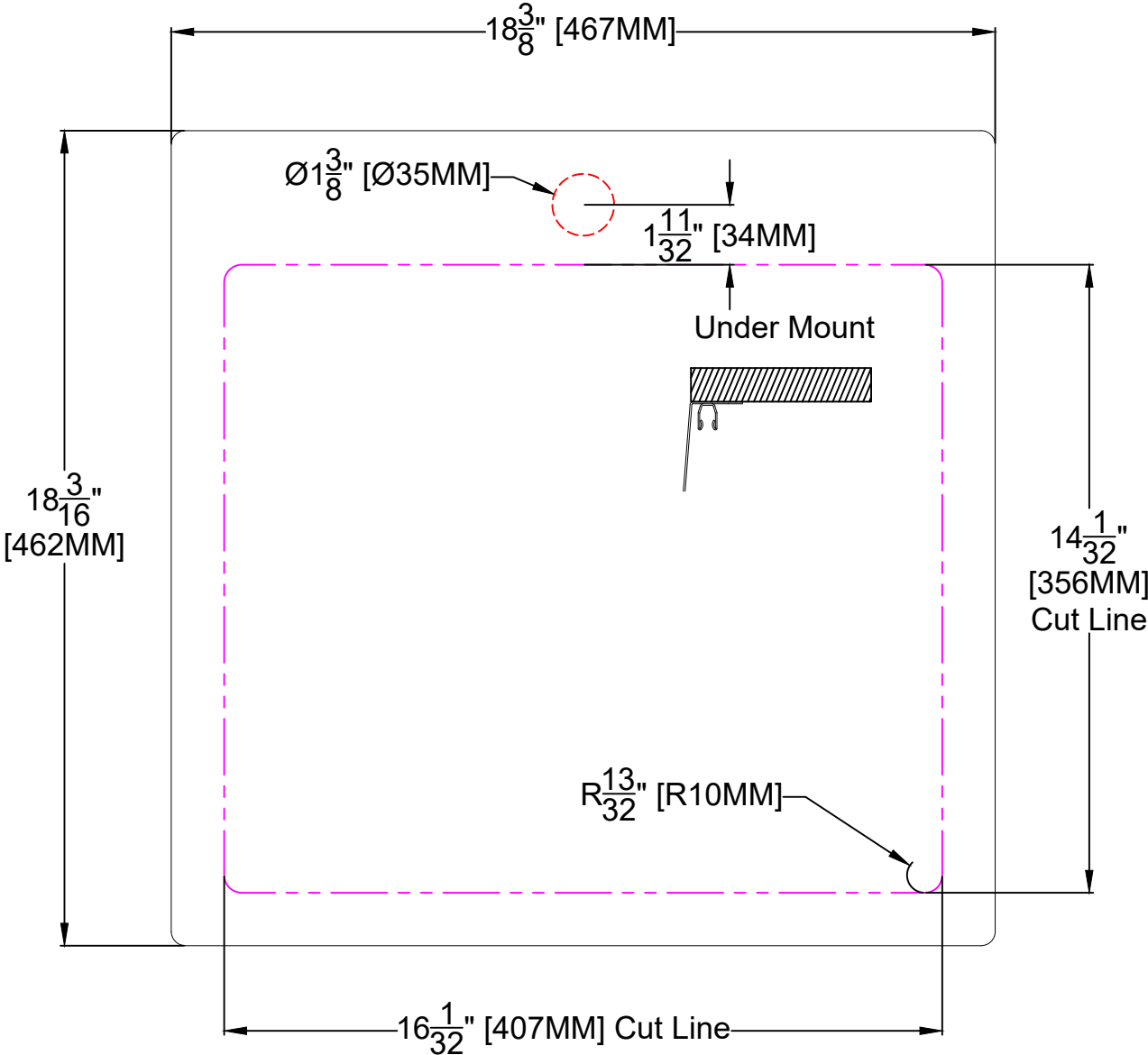
8 CHECKING AND TESTING

- Before testing, connect the rest of the drain system.
- Open the hot and cold water supplies and look for leaks.
- Open the faucet handle and look for leaks in the drain.
- Test for hot and cold water flowing.
- Run for a while to clear lines of air and debris.
- Turn water off when complete



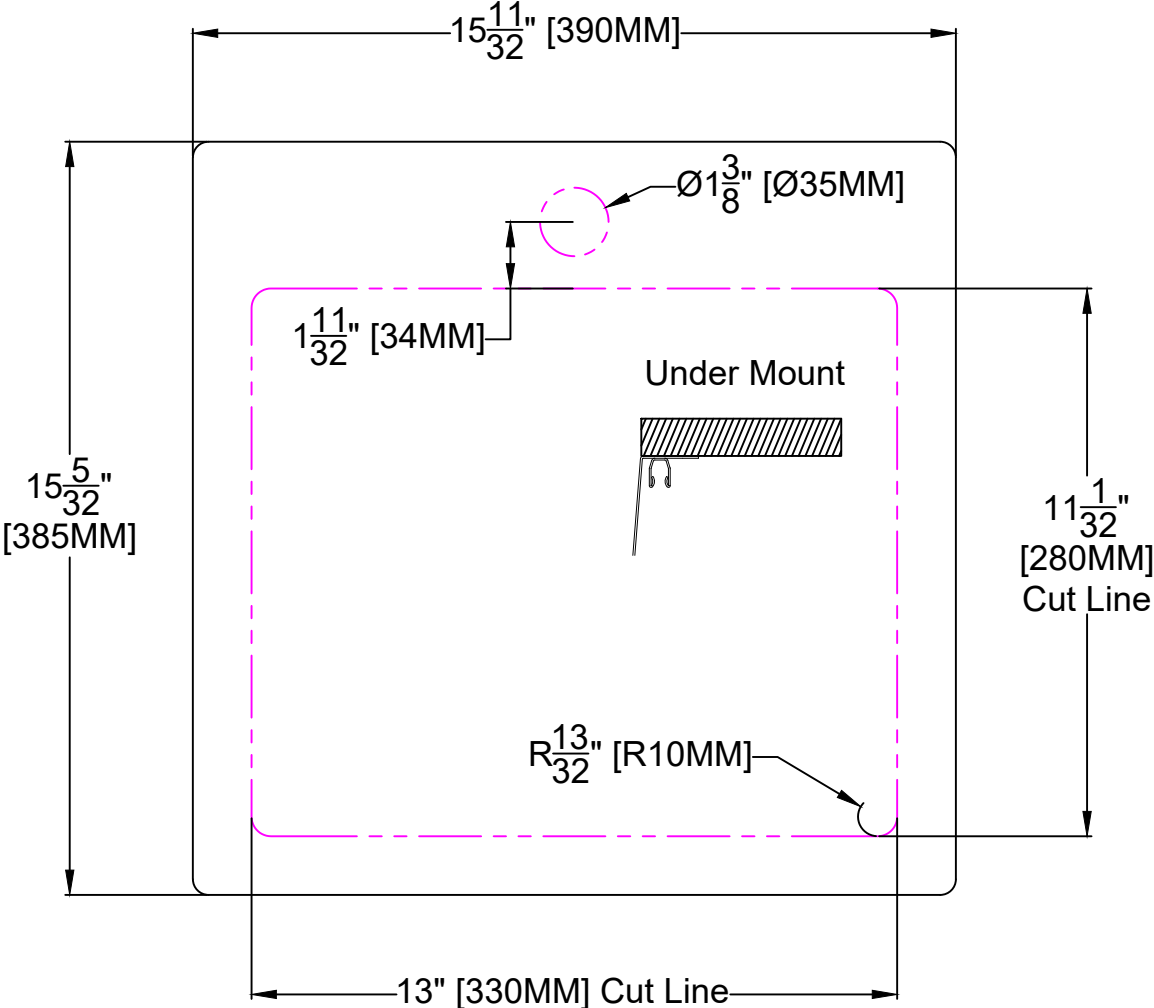
Under-Mount Sink Cut-Outs

Bull 18" Dual Mount Sink
Model # 12515
Cardboard Template Provided



Under-Mount Sink Cut-Outs

Bull 15" Dual Mount Sink
Model # 12516
Cardboard Template Provided
15158-R10



UNDER-MOUNT INSTALLATION

BEFORE YOU BEGIN...

CAUTION!

It is recommended to have a professional installer to perform this installation.

1 PREPARING THE COUNTER TOP

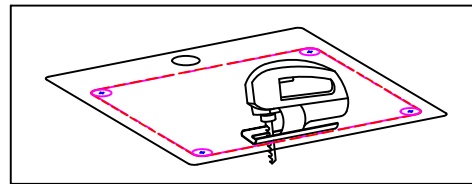
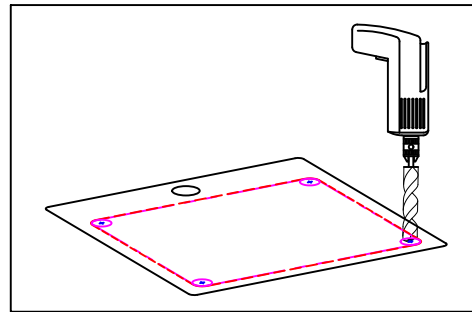
Make sure there are no obstructions such as cabinets, plumbing, ect. below or above the countertop.

Note: The template cut lines are designed to flush with insides of the sink.

Place template on countertop checking to make sure the sink will line up correctly with plumbing,

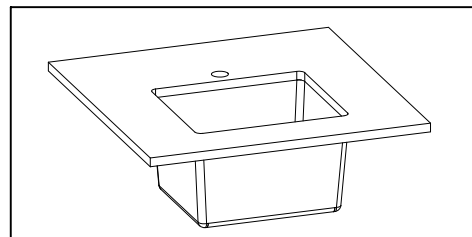
Note: The type of drill bits or saws use the countertop manufactures recommendations. To begin the cutout for the sink, drill a Ø20MM" hole and saw to carefully cut along the template or pencil line.

Drill a Ø35MM or Ø1-3/8" hole for faucet as located on template.

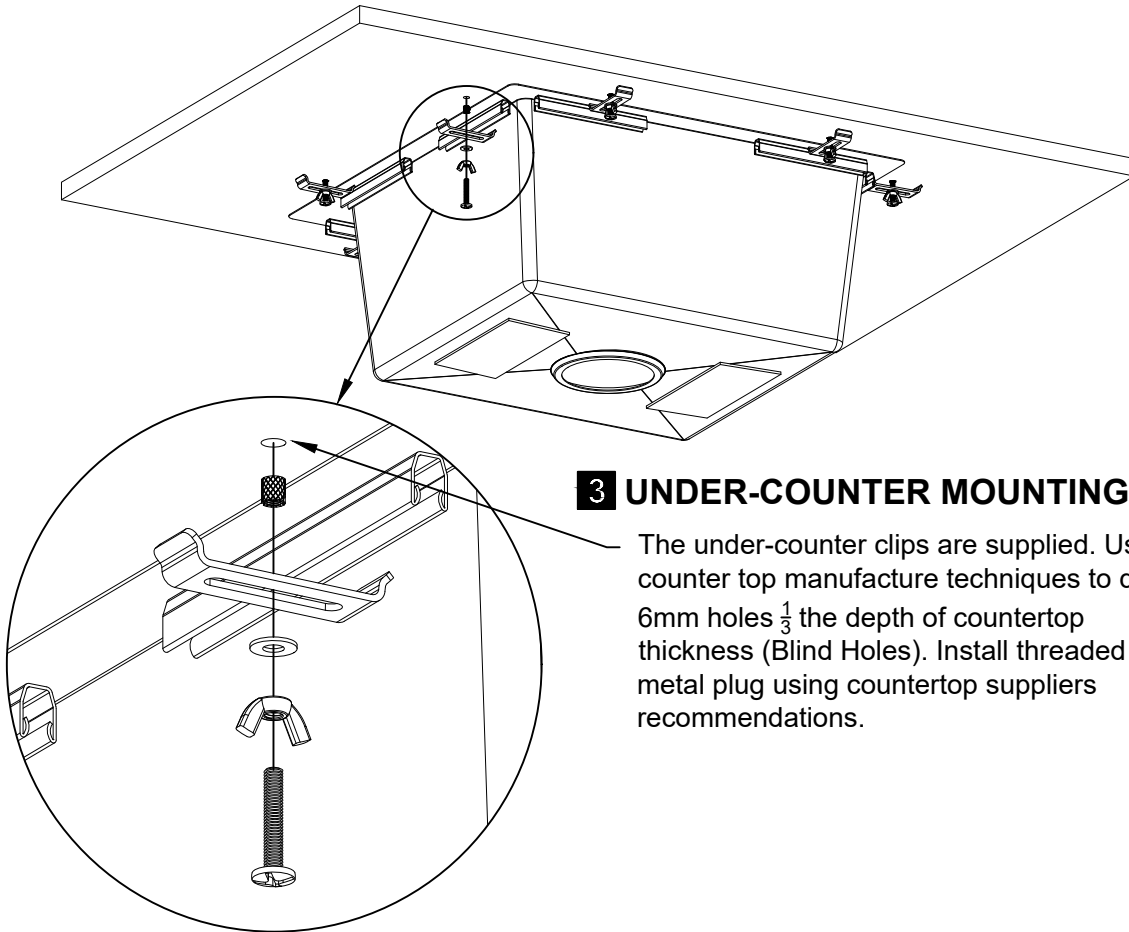


2 CHECK CUTOUT DIMENSIONS

Check the countertop cutout opening by placing the sink in the opening to be sure it is sized properly. The rim of the sink must be set uniformly on the underside of the countertop to ensure the corners of the sink seat properly. If sink does not fit adjust the cutout opening counter top manufactures suggested techniques..



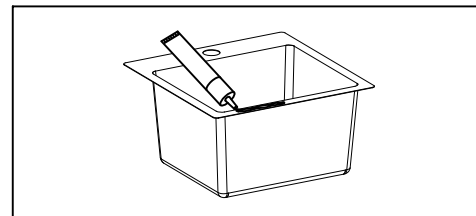
UNDER-MOUNT INSTALLATION (Continued)



3 UNDER-COUNTER MOUNTING KIT

The under-counter clips are supplied. Use counter top manufacture techniques to drill 6mm holes $\frac{1}{3}$ the depth of countertop thickness (Blind Holes). Install threaded metal plug using countertop suppliers recommendations.

- 4** Apply silicone sealant all around the top of the lip of the sink.



- 5** Position the sink to the under side of the counter top securing it into place with the supplied clips and using wood blocks evenly applying pressure squeezing out the sealant. Wipe away the excess sealant.

6 INSTALLING FAUCET AND DRAIN

Refer to page 6 step 3 to page 7 to step 5. Next page 8 steps 7 and 8.

CARE AND MAINTENANCE

-Daily, regular cleaning to remove dirt and prevent staining is recommended. Use liquid dish detergent, water and a soft household sponge.

-Mild, non-abrasive cleaners can be used with a nylon scrub pad. To ensure a uniform appearance in a stainless steel sink surface, rinse with water and wipe down the sink with a soft, dry cloth. Drying the sink will prevent water spots caused by time in the water.

-Remove stubborn stains from lime or calcium deposits by pouring a little warm vinegar or vinegar based cleaner into the sink and allow it to sit for a few minutes. Rinse with clean water and dry.

-Scratches are inevitable during your usage over time. Use a nylon pad with an iron free abrasive polishing compound. Follow the original polish lines to blend out the scratch in a small area. Be careful not to overdo as aggressive scrubbing will result in a bright spot.

-DO NOT use strong abrasive cleaners, metal scrub pads, or steel wool. These will scratch the surface.

-DO NOT leave rubber mats or sponges inside the sink for prolonged periods of time.

-DO NOT let food with high salt content sit inside the sink. Water trapped below could lead to stains.

-DO NOT allow chlorine bleach to sit inside a stainless steel sink for more than 1 hour.

-DO NOT allow drain cleaners to come in contact with sink surface.

-DO NOT pour paint in your sink. The chemicals in acrylic paint will react with sinks if allowed to sit over 24 hours and will produce permanent marks. For latex based paints, remove any residue immediately using a paint remover manufactured by the same brand. Consult the paint remover recommendations before using on the sink. For all sinks we recommend nail polish remover, rubbing alcohol or an acetone-based paint remover to eliminate paint residue.

-Rust spots - Rust stains are the result of iron particles introduced by water, cookware, and steel wool pads that react with water to create rust. Metal cleaners will remove rust spots.

-Food stains - Depending on the severity of the stain, use a bleach and water solution or pour the bleach onto a cloth and cover the stain. Allow the bleach to sit for at least $\frac{1}{2}$ hour and then clean with dish detergent and water. Dry with cloth.

TROUBLE SHOOTING FOR THE FAUCET

PROBLEM	CAUSE	ACTION
Leaks under the handle assembly	The cartridge locknut has come loose or dirt has become between the seals. Seals are old and cracked.	Turn off the water supply. Open the valve on the faucet to relief pressure. Unscrew the handle (S) from the cartridge cover. Use 2.5MM allen wrench and loose set screw (R) from the hole left from the handle. Slide the cartridge cover off (Q). Remove the cartridge lock nut (P) by turning counter clockwise. Remove the cartridge (O), inspect the seals look for cracking. Make sure the faucet body is clear of debris and dirt. Clean faucet body, and replace cartridge if needed. Reassemble in reverse order.
Faucet will not turn off completely	Faulty cartridge	Turn off the water supply. Open the valve on the faucet to relief pressure. Unscrew the handle (S) from the cartridge cover. Use 2.5MM allen wrench and loose set screw (R) from the hole left from the handle. Slide the cartridge cover off (Q). Remove the cartridge lock nut (P) by turning counter clockwise. Remove the cartridge (O). Make sure the faucet body is clear of debris and dirt. Clean faucet body, and replace cartridge. Reassemble in reverse order.
Faucet leaks below the sink	Dirt on hose end seats. Bad or cracked o-rings.	Turn off the water supply. Open the valve on the faucet to relief pressure. Unscrew the braided water supply hoses from faucet. Clean the faucet hose seats. Inspect o-rings. Replace o-rings or hose if needed. Reassemble. Note: applying more torque to hose does not achieve a better seal.
Hose leaks at supply valve	Dirt on gasket. Bad or cracked Gasket. Cross threaded	Turn off the water supply. Open the valve on the faucet to relief pressure. Unscrew the braided water supply hoses from supply valve. Clean hose seat gasket and valve seat. Inspect Gasket. Replace gasket if needed. If cross threaded the hose or supply valve may be damaged and need replacing. Reconnect hose to supply valve. See valve manufacture for torque specs.

WARRANTY POLICY

LIMITED WARRANTY ON BULL OUTDOOR PRODUCTS, INC., PRODUCTS

THIS LIMITED WARRANTY GIVES YOU SPECIFIC LEGAL RIGHTS. YOU MAY ALSO HAVE OTHER RIGHTS, WHICH VARY FROM STATE TO STATE.

THIS LIMITED WARRANTY CAN ALSO BE FOUND ON OUR WEB SITE AT:

<https://www.bullbbq.com/support-warranty> (United States Customers);

<https://www.bullbbq.eu/en/warrantyform.htm> (International Customers) AND IN THE OWNER'S/INSTALLATION MANUAL THAT WE PROVIDE WITH OUR PRODUCT.

THIS LIMITED WARRANTY IS SUBJECT TO THE EXCLUSIONS, CONDITIONS AND LIMITATIONS SET FORTH BELOW.

ANY IMPLIED WARRANTIES IMPOSED BY LAW, INCLUDING WITHOUT LIMITATION THE IMPLIED WARRANTIES OF MERCHANTABILITY AND FITNESS FOR A PARTICULAR PURPOSE, ARE LIMITED IN DURATION TO THE DURATION OF THIS EXPRESS LIMITED WARRANTY. SOME STATES DO NOT ALLOW LIMITATIONS ON HOW LONG AN IMPLIED WARRANTY LASTS, SO THE ABOVE LIMITATION MAY NOT APPLY TO YOU.

WHO MAY USE THIS WARRANTY?

BULL OUTDOOR PRODUCTS, INC. located at address 1011 East Pine St. Lodi, CA. 95240 ("**we**") extend this limited warranty only to the consumer who originally purchased the product ("**you**") at the original site of delivery or installation. It does not extend to any subsequent owner or other transferee of the product. It does not apply to products installed in any rental, commercial or non-residential application. Examples of excluded applications include, but are not limited to day care centers, schools, bed and breakfast centers, churches, private clubs, fire stations, club houses, common areas in multi-family dwellings, restaurants, hotels, nursing homes, food service locations and institutional food service locations.

WHAT DOES THIS WARRANTY COVER?

This limited warranty covers defects in materials and workmanship of the product and product components identified below for the Warranty Periods defined below.

WHAT IS THE PERIOD OF COVERAGE?

This limited warranty starts on the date of your purchase and lasts for the time period or time periods specified above (the "**Warranty Period**"). The Warranty Period is not extended if we repair or replace the product. We may change the availability of this limited warranty at our discretion, but any changes will not be retroactive.

• Component Warranty Periods

All of the parts for our components/grill carts/refrigerators/kegerators/drawers/doors are covered for **one year** with these exceptions:

WHAT DOES THIS WARRANTY NOT COVER?

This limited warranty does not cover any damage due to: (a) transportation; (b) storage; (c) improper installation or use; (d) use on improper fuel/gas supply; (e) failure to follow the product instructions or to perform any preventive maintenance; (f) modifications; (g) unauthorized repair; (h) normal wear and tear; or (i) external causes such as accidents, abuse, or other actions or events beyond our reasonable control.

WARRANTY POLICY CONTINUED

WHAT ARE YOUR REMEDIES UNDER THIS WARRANTY?

With respect to any defective product claim made during the Warranty Period, we will, in our sole discretion, either: repair or replace such product (or the defective part) free of charge or (b) refund the purchase price of such product. We will not pay for shipping charges for repaired or replacement parts, or for any labor or labor related charges. We will not pay for any accessory products or ancillary products purchased by you for use in connection with the product.

HOW DO YOU OBTAIN WARRANTY SERVICE?

To obtain warranty service, you must submit a warranty claim online through the Bullbq.com website during the Warranty Period. Warranty claims will not be accepted via email, fax or phone.

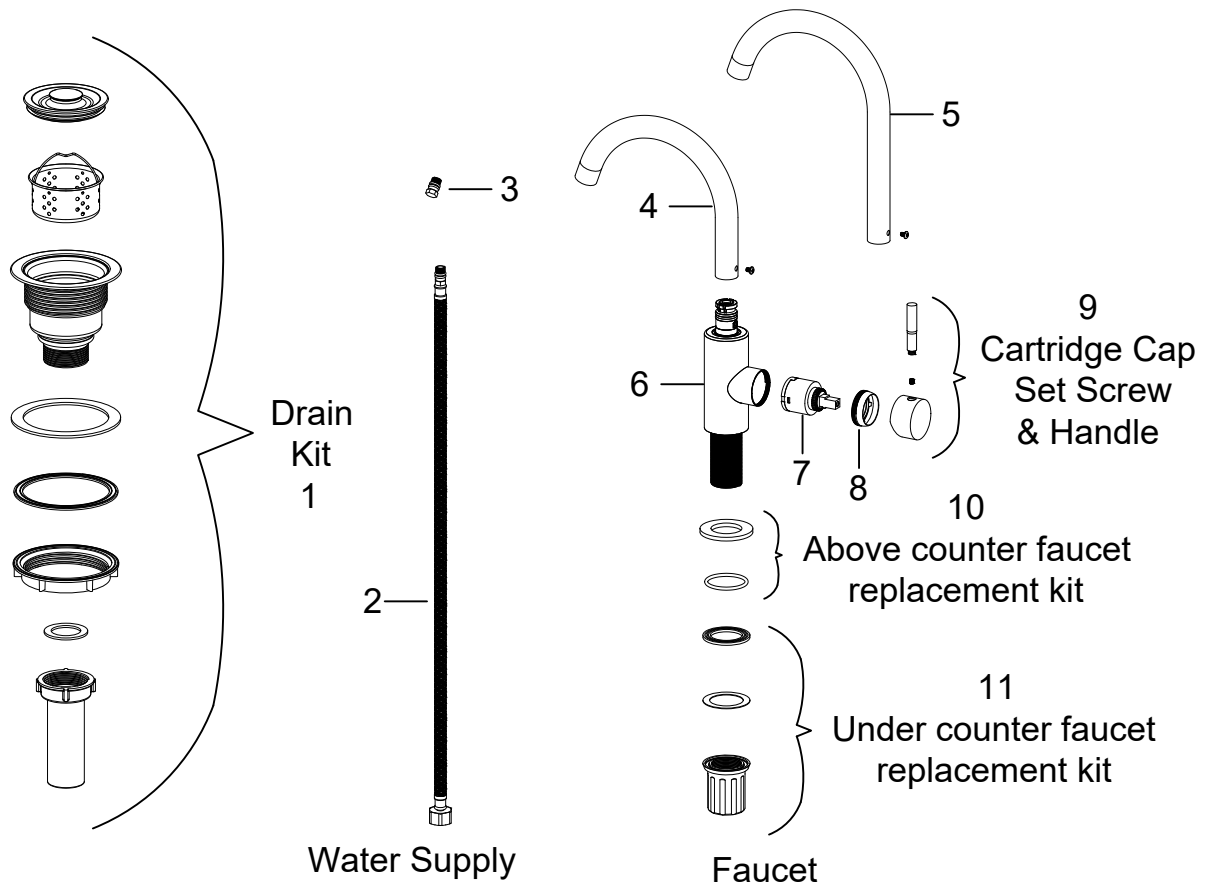
LIMITATION OF LIABILITY

THE REMEDIES DESCRIBED ABOVE ARE YOUR SOLE AND EXCLUSIVE REMEDIES AND OUR ENTIRE LIABILITY FOR ANY BREACH OF THIS LIMITED WARRANTY. OUR LIABILITY SHALL UNDER NO CIRCUMSTANCES EXCEED THE ACTUAL AMOUNT PAID BY YOU FOR THE DEFECTIVE PRODUCT, NOR SHALL WE UNDER ANY CIRCUMSTANCES BE LIABLE FOR ANY CONSEQUENTIAL, INCIDENTAL, SPECIAL OR PUNITIVE DAMAGES OR LOSSES, WHETHER DIRECT OR INDIRECT.

SOME STATES DO NOT ALLOW THE EXCLUSION OR LIMITATION OF INCIDENTAL OR CONSEQUENTIAL DAMAGES, SO THE ABOVE LIMITATION OR EXCLUSION MAY NOT APPLY TO YOU.

Revised 10-15-2020 APR

Replacement Parts List



18" Dual-Mount Premium Sink - with Stainless Steel Faucet	SKU # 12515
15" Dual-Mount Premium Sink - with Stainless Steel Faucet	SKU # 12516

PART	DESCRIPTION	PART #
1	Drain Kit	12519
2	Water Supply Hose	12520
3	Hot Water Plug	12528
4	Faucet Head and Set Screw for premium Sink SKU#12516	12521
5	Faucet Head and Set Screw for premium Sink SKU#12515	12522
6	Replacement Faucet Body	12523
7	Replacement Faucet Cartridge	12524
8	Cartridge Lock Nut	12529
9	Cartridge Cap, Set Screw, & with Handle	12525
10	Above Counter Faucet Replacement Kit	12526
11	Under Counter Faucet Replacement Kit	12527

Complete Faucet Assembly for 18" Premium Sink -SKU #12515	12517
Complete Faucet Assembly for 15" Premium Sink -SKU #12516	12518